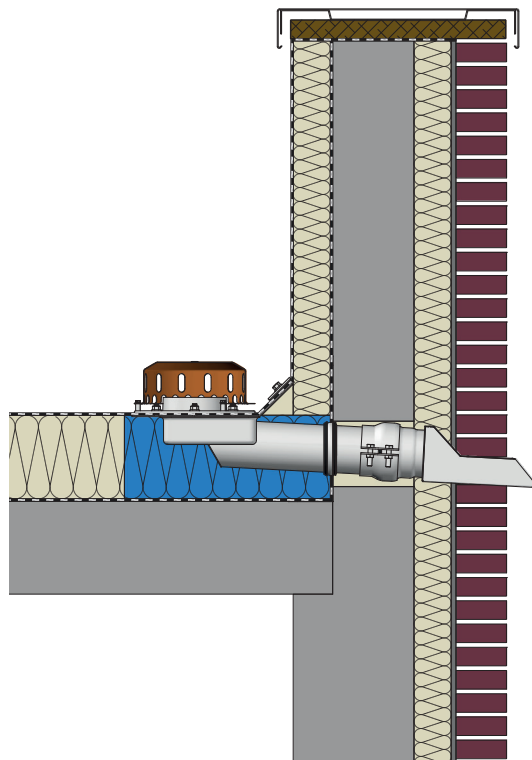
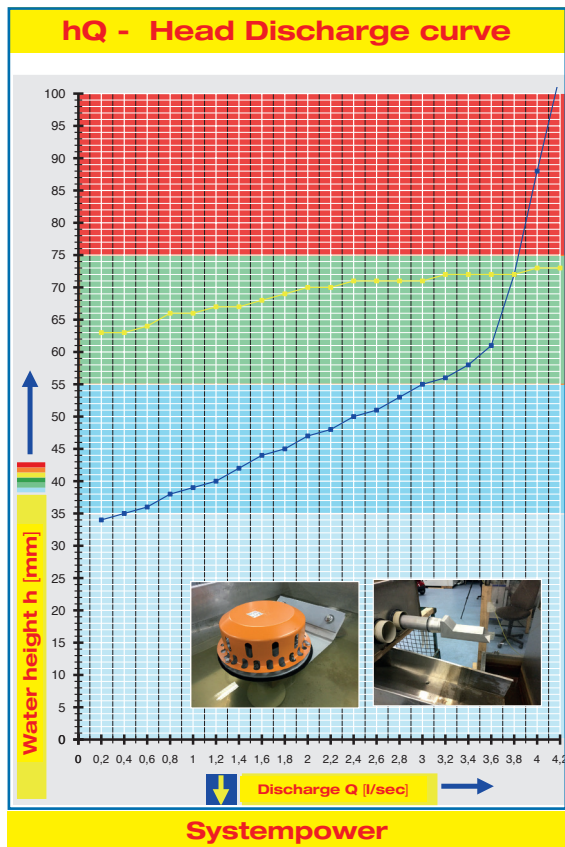
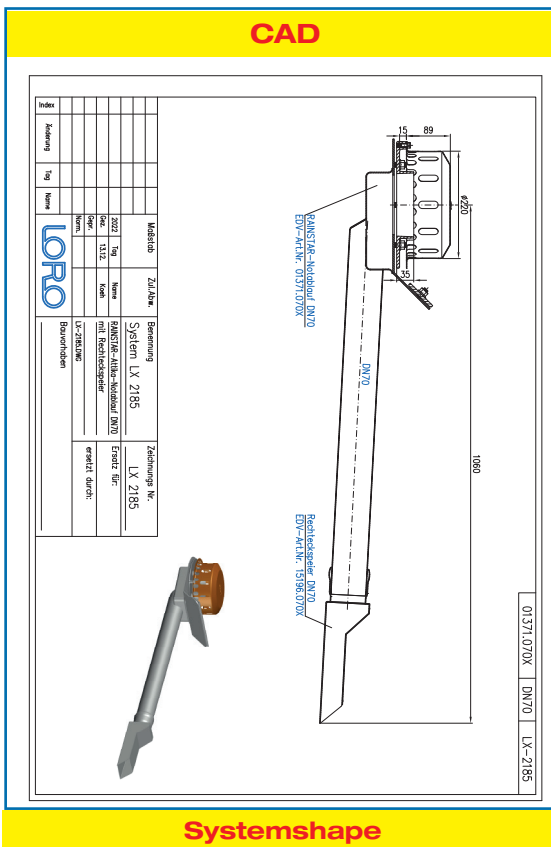


Specification sheet LX2185
**Parapet drainage
Series 79 RAINSTAR®
as rectangular spout**
Emergency drainage
Gravity flow
Silent

Discharge rate:	3,83 l/sec
Water height:	75 mm
Roof penetration:	92 mm
Diameter:	DN 70
LX-Number:	LX 2185
Weir height:	35 mm
Drain:	ventilated
Downpipe:	ventilated
Downpipe height:	0 m
Drainage:	on floor
Flange form:	Clamping flange


LX 2185 Piece list

- 1 x Art.-No. 01371.070X, LORO-X RAINSTAR® Parapet drain
- 1 x Art.-No. 01401.070X, LORO-X Pipe with one socket
- 1 x Art.-No. 13235.070X, LORO-X Sliding flange
- 1 x Art.-No. 15196.070X, LORO-X Rectangular emergency spout
- 1 x Art.-No. 00911.070X, LORO-X Sealing element
- 1 x Art.-No. 00986.000X, LORO-X Lubricant


Systempower

Systemshape

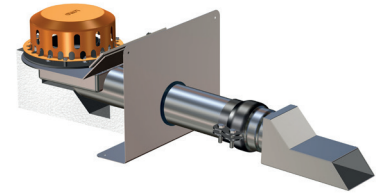
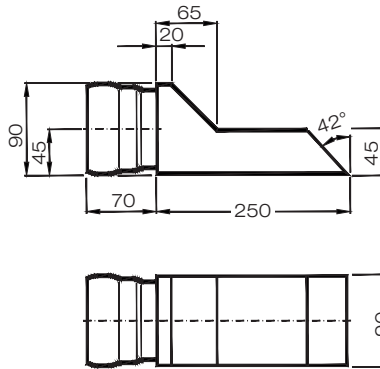
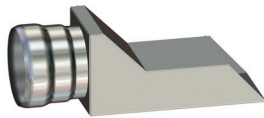
Water height	mm	20	25	30	35	40	45	50	55	60	65	70	75	80	85	90	95	100
Discharge	l/s	-	-	-	-	1,2	1,8	2,4	3,0	3,53	3,67	3,77	3,83	3,9	3,97	4,02	4,10	4,17
													Silent					

LORO-X Rectangular Emergency spout

DN 100

LX2185-20X

Series 79 (RB)
Rectangular spout
 Art.-No. 15196.070X
 Weight: 1,0 kg



Series 79 (RB)
 Drain Art.-No. 01371.070X
 Weight: 5,7 kg

with clamping flange 45°
 fo bituminous roofing sheets

